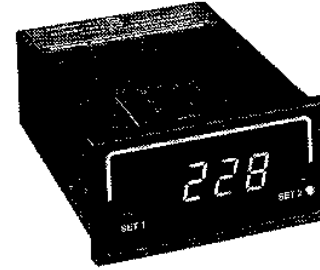


SUPPLIED BY:



TEMPERATURE INDICATORS WITH 2 ALARM CONTACTS



95000 REL
INSTRUCTION
MANUAL 95A

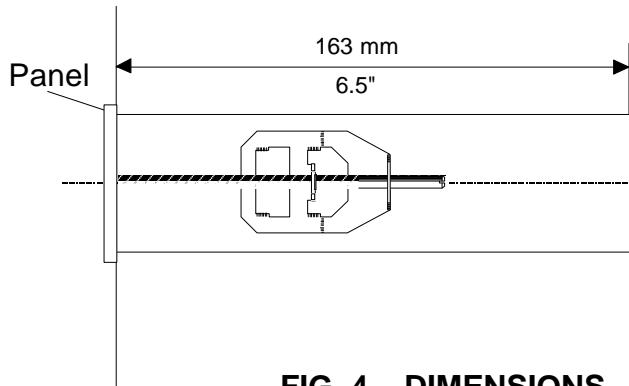


FIG. 4 DIMENSIONS

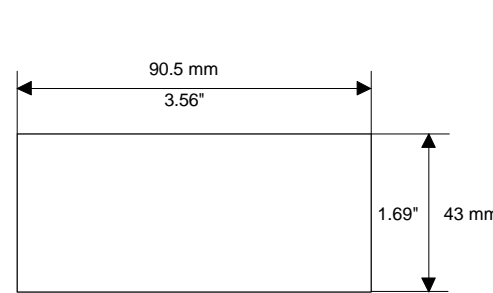


FIG. 3
PANEL CUT-OUT

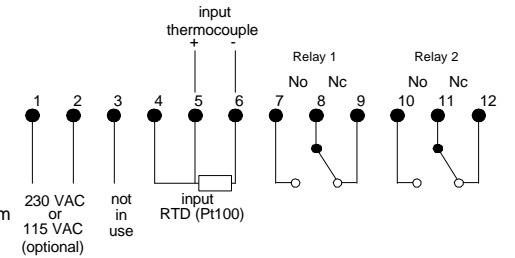
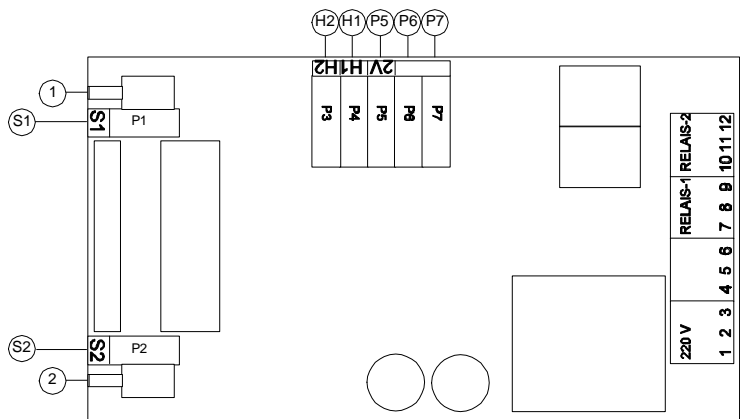


FIG. 2
CONNECTION DIAGRAM



**FIG.1 95000 REL SERIES
LOCATION OF ADJUSTMENT POTENTIOMETERS**

SET POINT SETTING

There are two set points which can be set to any required value above 0E.

1. Remove the Front Bezel and the cover plate. Place the cover plates on a soft non-scratching surface.
2. Connect an input simulator to the input. (refer to figure 2)
Remember the RTD (Pt100) simulator must have 3 wires. In case of a thermocouple pay attention to the polarity.
3. Connect the power supply. (refer to figure 2)
4. Check the proper reading of the display while changing the input value of the calibrator.
5. Push the button (fig.1 no.1) located on the left front side.
6. While pushing this button turn the left front side potentiometer S1 clockwise to raise the set temperature, or counter clockwise to lower the temperature.
7. The hysteresis of the set-point can be varied with potentiometer H1. In order to change this, gently pull out the P.C. board. **BEWARE OF SHOCKS.**
8. Making the setting for set-point no.2 is the same, but use the button on the right front side and potentiometer S2.
Use potentiometer H2 to change the hysteresis.
9. Use the corresponding relays for switching. **NEVER SWITCH HIGH RATINGS WITH THESE RELAYS. MAXIMUM RATING IS 100mW NON-INDUCTIVE LOAD.**

INTRODUCTION

The 95000 REL is a series Temperature indicators with 2 alarm contacts. Depending on the Model, an input of RTD (Pt100) or Thermocouple type K or J is accepted. Two independent (high) alarm setpoints can be individually set at any required value above 0EC or EF.

TABLE 1. AVAILABLE MODELS

Model	Input	Range	Resolution	Calibration
95140REL	thermocouple K	0.....1200EC	1E	1000 EC
95120REL	thermocouple J	0.....900EC	1E	600 EC
95300REL	Pt100 (RTD)	-100.....200EC	0.1E	150.0EC
95310REL	Pt100 (RTD)	-100.....800EC	1E	800 EC
95240REL	thermocouple K	-60...2000EF	1E	1832 EF
95220REL	thermocouple J	-60...1650EF	1E	1112 EF
95400REL	Pt100 (RTD)	-150.....200EF	0.1E	167 EF
95410REL	Pt100 (RTD)	-150...1470EF	1E	1292 EF

CALIBRATION

In normal operating conditions calibration of the unit is recommended once every year.

For calibration is required: an accurate digital Voltmeter and a calibrator.

1. Remove Front Bezel and Cover Plate. Beware of scratches.
2. Gently pull out the P.C. Board and connect power supply and simulator.
3. Simulate 0E and check display reading. Adjust with potentiometer P6 the zero reading.
4. Simulate, depending on the model, the calibration input as given in table 1 and adjust with potentiometer P5 (2V).
5. Repeat step 3 and 4.
6. For Pt100 (RTD) input only: connect 3 similar 1000Ω resistors in each input wire. There should be no change with or without these resistors in the input. If there is a deviation: adjust with potentiometer P7. Your unit is capable to accept a RTD (Pt100) with a 1000Ω lead resistance.